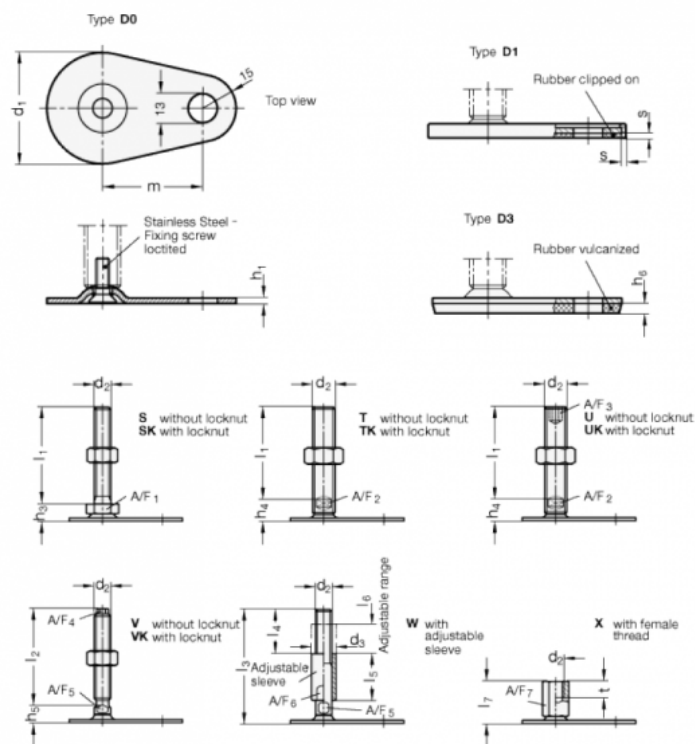


Article number: 204360M16125D0T
 Description: E+G levelling foot
 GN 43-60-M16-125-D0-T
 Note: T Without nut, Wrench flat at the bottom

Measures



A/F2 = 12	s =
d1 = 60	
d2 = M16	
h1 = 2.5	
h4 = 17	
h6 =	
l1 = 125	
m = 50	